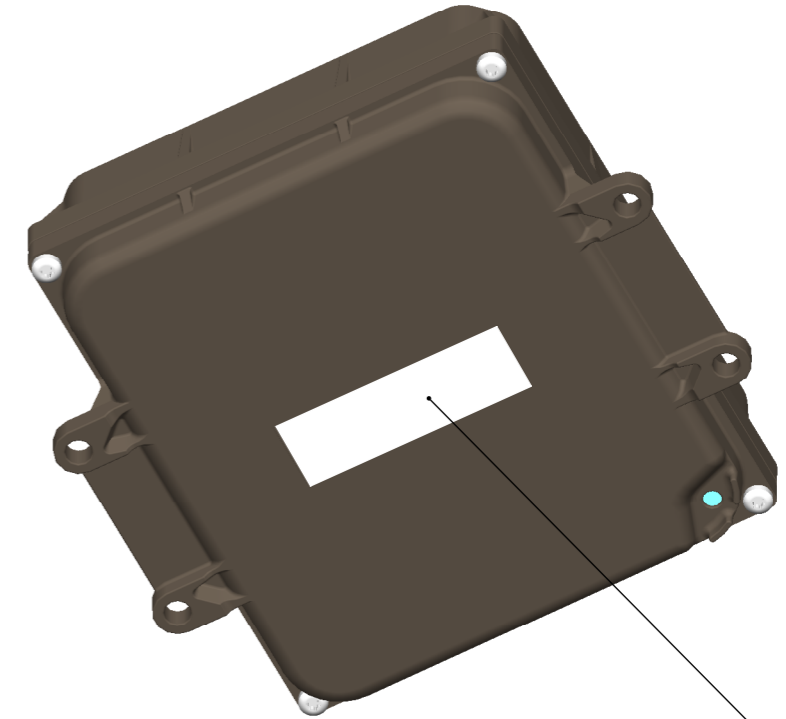


REVISIONS				
Rev	Description	Designer	Approved	Date
01	Created	KTN	KLN	2016-08-15
02	Label information added; DIM 7.2 tolerance added, "Units in millimeter" text added	KTN	KLI	2016-10-11
03	DC was PWR	KTN	KLN	2016-11-16



02 Label: P/N, Type, Power, MAC, S/N, QR-code



02 Label: Product name, P/N, S/N, QR-code

02 Units in millimeter (mm)

Material/Notes		Notes		Tolerance ±1mm	
		Denomination <b>Viper 120A</b>		Designer KTN	Approved KLN
Drawing No. 3635-0910-UD-03		Date 2016-07-21		Scale 1:1	Sheet 1(1)
				Status Approved	