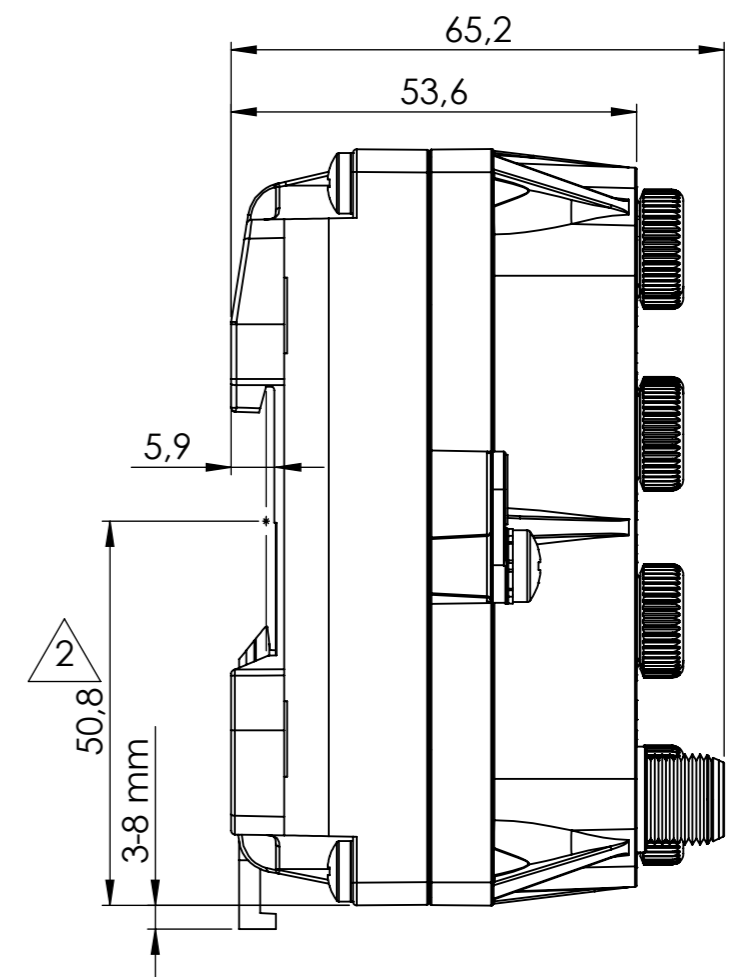
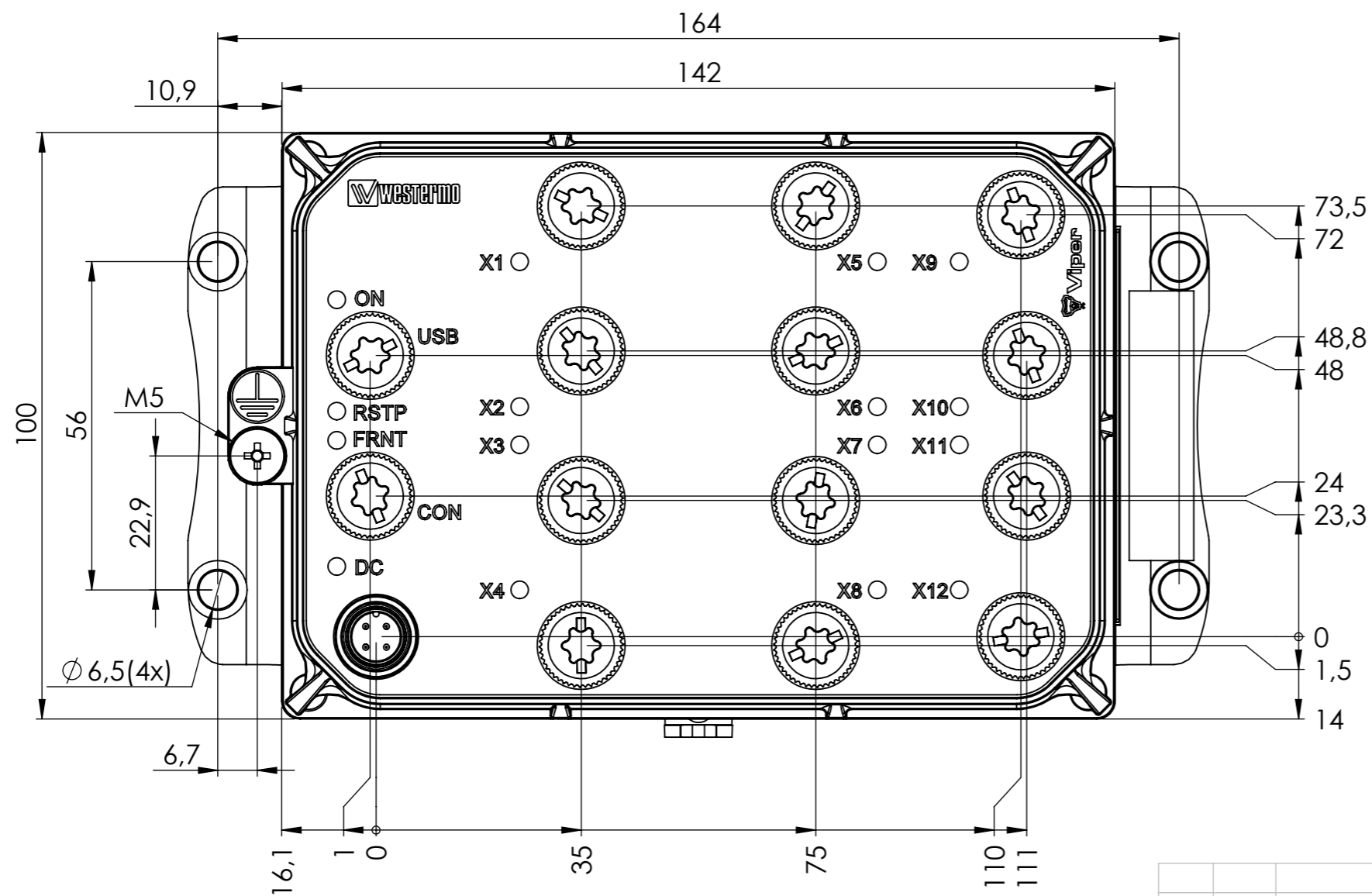
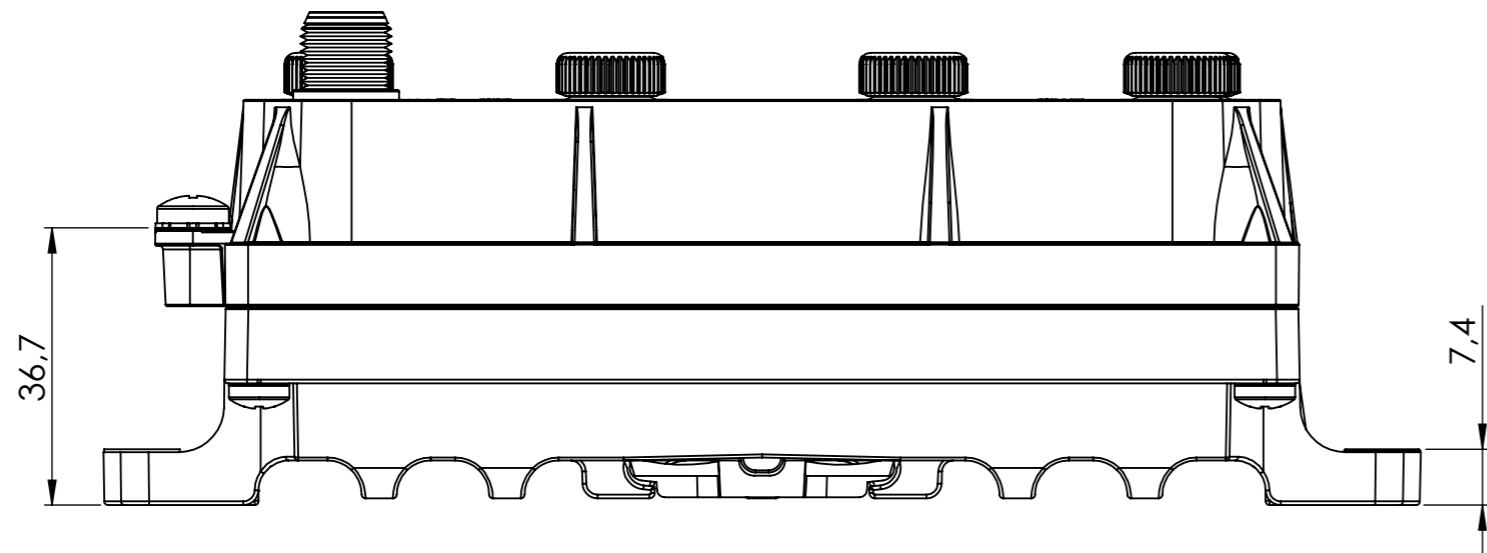


Rev	Description	Date	Designer	Approved
01	Created	101202	PaPu	ToDu
02	Uppdaterad läge för DIN-skena	101222	PaPu	ToDu



© 2010 Westermo Teleindustri AB All rights reserved

Pos No	Quantity	Description	Designation / Dimension	Material / Remark	
		<b>WESTERMO</b>	Viper-12 Mgmt Dimension Drawing	Designer PaPu	Approved Date 101222
				Scale 1:1	Sheet 1(1)
				Drawing No. 3641-0560-U-02	Status Preliminary